

ITEM	NO. RECD	PART NO.	PART NAME
①	1	5273548	POWER END ASSEMBLY:
②	1	5260310	FLUID CYLINDER GROUP:
③	1	5273637	ATTACHING GROUP:
④	1	5273635	CYLINDER GROUP:
⑤	2	3267699	PISTON CUP: 1/4"
⑥	1	5266228	LIT KIT:
* ⑦	4	5260142	VALVE SEAT:
* ⑧	4	1219610	CAGE:
* ⑨	4	5253499	DISC & SPRING ASSEMBLY:
* ⑩	2	1219614	VALVE COVER:
* ⑪	6	1177394	O-RING: 1 3/16" OD X 1/8" NOM., BUNA-N
* ⑫	1	1255887	VALVE COVER CLAMP:
* ⑬	1	1100064	HEX HD CAP SCREW: 1/2-13 X 1/2" LG.
* ⑭	1	5257095	FLUID CYLINDER:
** ⑮	2	1279148	UMBRELLA: BLACK
** ⑯	2	1269388	UMBRELLA WASHER:
** ⑰	2	1101339	O-RING: 1 1/16" OD X 1/16" NOM., BUNA-N
** ⑱	1	1177200	CAPLUG: INT. 12
** ⑲	1	1177201	CAPLUG: INT. 14
** ⑳	3	1101262	HEX HD CAP SCREW: 3/8-16 X 5" LG.
*** ㉑	4	A91684	CYLINDER GASKET:
*** ㉒	2	1279920	CERAMIC CYLINDER:
*** ㉓	2	1282635	PISTON HOLDER:
*** ㉔	2	5257216	PISTON WASHER:
*** ㉕	2	1284516	HEX HD CAP SCREW: 5/16-18 X 1/2" LG.
*** ㉖	2	1285170	SEAL RING:
*** ㉗	2	1177841	O-RING: 2 1/8" OD X 1/16" BUNA-N

\* THESE COMPONENTS ARE LOCATED IN THE FLUID CYLINDER GROUP, ITEM ②  
 \*\* THESE COMPONENTS ARE LOCATED IN THE ATTACHING GROUP, ITEM ③  
 \*\*\* THESE COMPONENTS ARE LOCATED IN THE CYLINDER GROUP, ITEM ④

- NOTES:
- 1 TORQUE FASTENERS PER FMC ENGR SPEC AS-22
  - 2 TEST PUMP PER FMC ENGR SPEC AS-15
  - 3 STAMP NAMEPLATE PER FMC ENGR SPEC AS-21
  - 4 PAINT PUMP PER FMC ENGR SPEC CP-28

This drawing is the property of FMC Corporation, and may not be used, reproduced, published, or disclosed to others, without express authorization FMC Corp.

**FMC** FMC Corporation  
 Fluid Control Division  
 2825 W. Washington Box 1377  
 Stephenville, Texas 76481

Unless Otherwise Specified:  
 Remove all burrs & sharp corners .005 R.  
 All diameters concentric unless .001 LSC.

Angles ±1/2°  
 .XX ±.015  
 .XXX ±.005  
 Finish 125 RMS  
 All dimensions are in inches

PUMP ASSEMBLY  
 A0410, W/1/4" PACKING & SST DISC  
 VALVE ASSEMBLIES

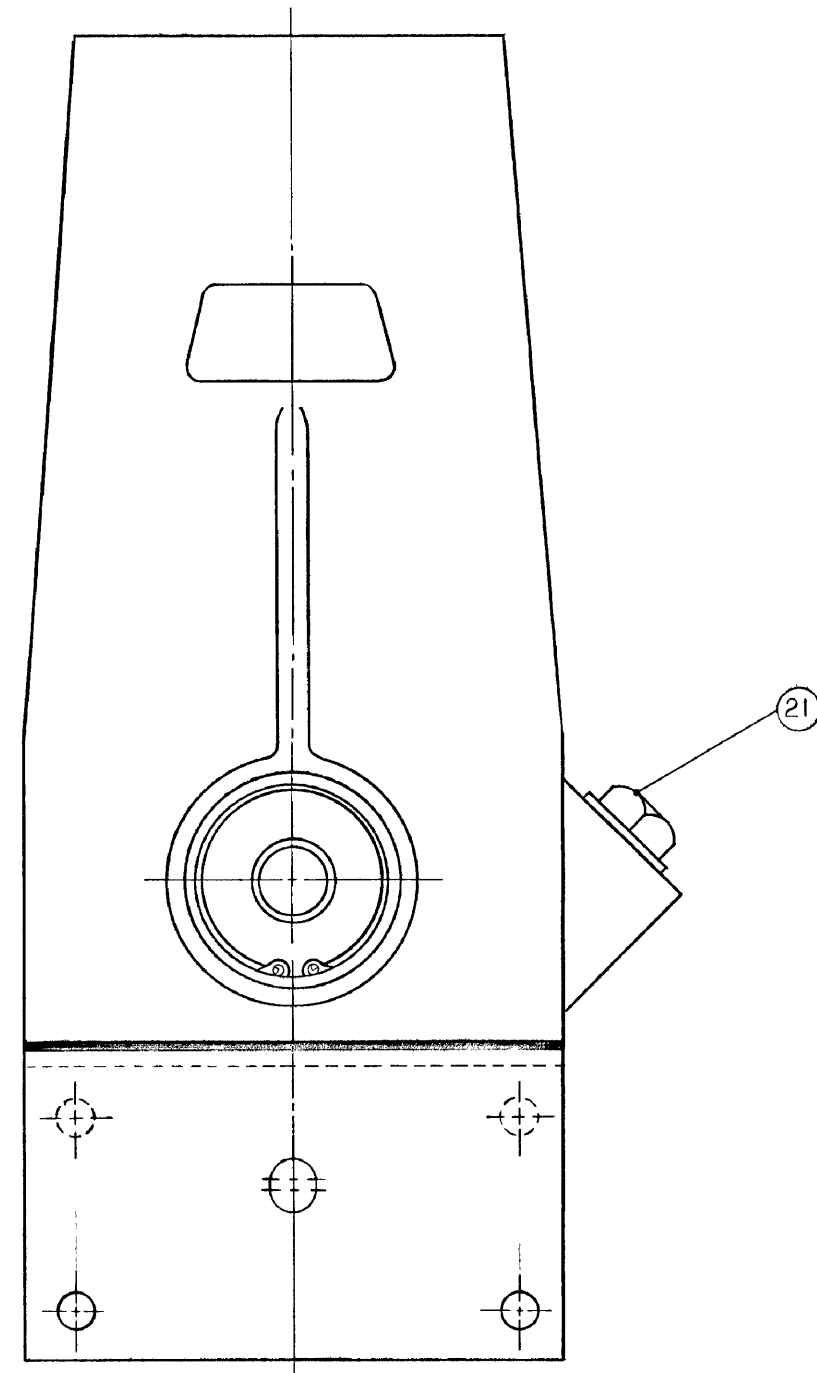
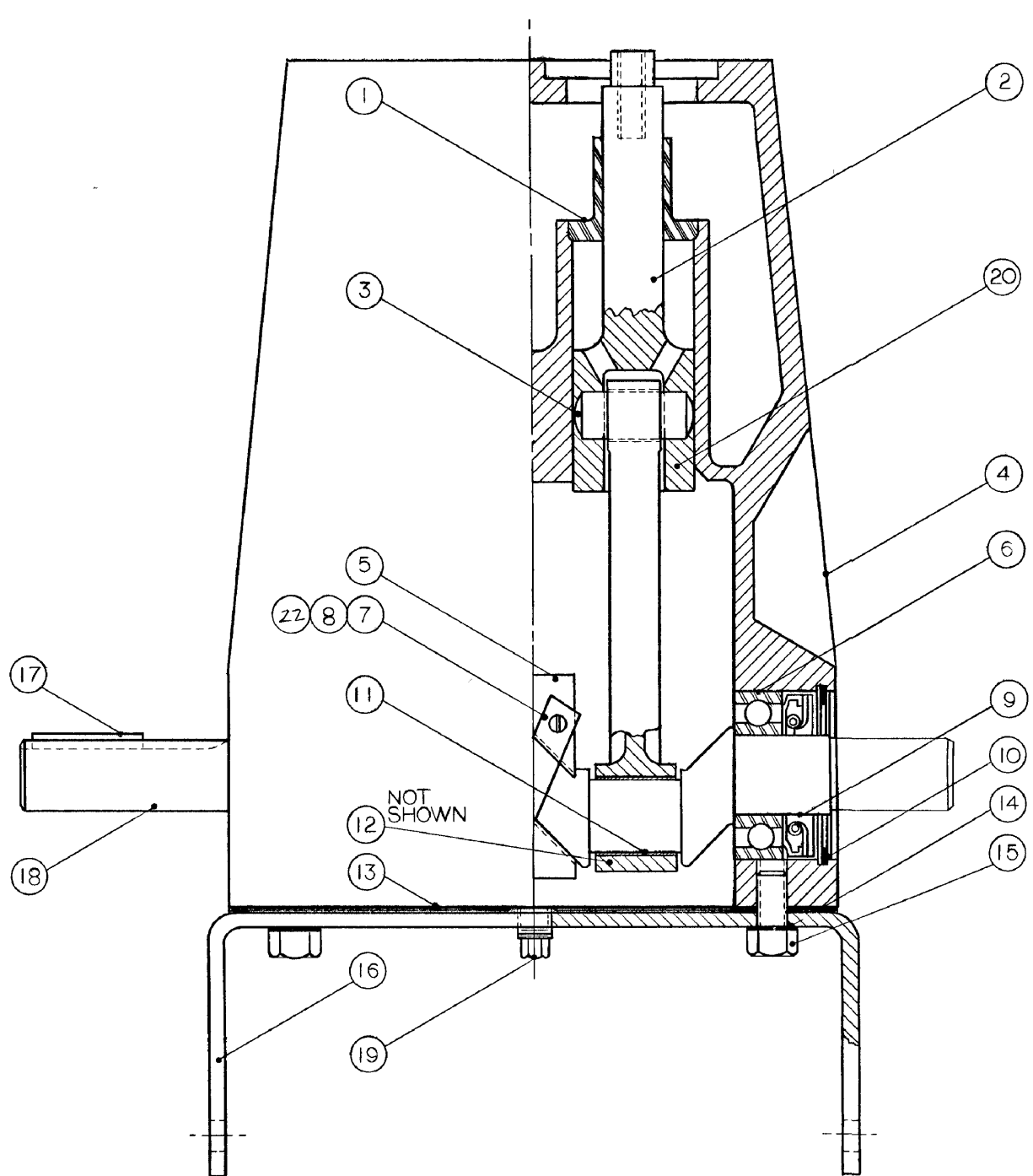
L	REV BOM	500285	JCF	05-28-98	RELEASED FOR PRODUCTION	DATE	04-28-98	DRAWN	JMW	04-02-98	SCALE:	NONE
K	REV DIGITIZE	500285	JMW	04-02-98	ECN			CKD.	BKM	04-2-98	SIZE	DRAWING NO.
REV	WAS		ECN	BY	DATE	✓	04-28-98	APPD.	GG	04-28-98	D	1280174

1280174

	ITEM	NO. REQD	PART NO.	PART NAME
	①	1	5273548	POWER END ASSEMBLY:
	②	1	5260310	FLUID CYLINDER GROUP:
	③	1	5273637	ATTACHING GROUP:
	④	1	5273635	CYLINDER GROUP:
△	⑤	2	3267699	PISTON CUP: 1¼"
	⑥	1	5266228	LIT KIT:
*	⑦	4	5260142	VALVE SEAT:
*	⑧	4	1219610	CAGE:
*	⑨	4	5253499	DISC & SPRING ASSEMBLY:
*	⑩	2	1219614	VALVE COVER:
*	⑪	6	1177394	O-RING: 1¾" OD X ⅛" NOM., BUNA-N
*	⑫	1	1255887	VALVE COVER CLAMP:
*	⑬	1	1100064	HEX HD CAP SCREW: ½-13 X 1½" LG.
*	⑭	1	5257095	FLUID CYLINDER:
**	⑮	2	1279148	UMBRELLA: BLACK
**	⑯	2	1269388	UMBRELLA WASHER:
**	⑰	2	1101339	O-RING: 1⅛" OD X ⅛" NOM., BUNA-N
**	⑱	1	1177200	CAPLUG: INT. 12
**	⑲	1	1177201	CAPLUG: INT. 14
**	⑳	3	1101262	HEX HD CAP SCREW: 3/8-16 X 5" LG.
***	㉑	4	A91684	CYLINDER GASKET:
***	㉒	2	1279920	CERAMIC CYLINDER:
***	㉓	2	1282635	PISTON HOLDER:
***	㉔	2	5257216	PISTON WASHER:
***	㉕	2	1284516	HEX HD CAP SCREW: ⅝-18 X 1½" LG.
***	㉖	2	1285170	SEAL RING:
***	㉗	2	1177841	O-RING: 2⅛" OD X ⅛" BUNA-N

PARTS LIST					
CHANGES	ITEM NO	NO REQ'D	DESCRIPTION	PART NUMBER	QTY
	1	2	CROSSHEAD, SLEEVE	1218743	A
	2	2	ASSEMBLY CONNECTING ROD	1263906	B
	3	2	WRIST PIN	1219650	A
	4	1	CASE	1267611	D
	5	1	OIL SLINGER	1255285	B
	6	2	BEARING FAFNIR 205 W	1177804	-
A	7	1	BOLTING STRIP	5241980	A
A	8	2	STOP NUT	1177576	-
	9	2	SEAL GARLOCK 205	1219669	-
	10	2	SNAP RING 5000-206	1113528	-
	11	4	BEARING INSERT	1263739	B
	12	4	HHCS 1/4-20x1 LOCK	1278439	-
	13	1	GASKET, BASE	1219606	B
	14	6	WASHER, WAVE	1177455	-
	15	6	HH CAP SCR 3/8-16x3/4	1100068	-
	16	1	BASE	1255297	B
	17	1	KEY 3/16 x 1-1/2	1108841	-
	18	1	CRANKSHAFT	1244980	C
	19	1	PIPE PLUG 1/4	1109666	-
	20	2	CROSSHEAD	1216823	B
	21	1	PIPE PLUG 3/4 SQ HD GALV	1105060	-
A	22	2	HEX HD CAP SCREW #10-24x 3/4 LG	320502	-
	23	1	NAMEPLATE	5277981	A
	24	2	SELF TAPPING SCREW	1187413	-

△△△  
 △△  
 △



**PUMP SPECS:**

1. APPLY LIGHT OIL TO CONNECTING ROD BEARINGS, WRIST PINS AND CROSSHEADS (ITEMS 3, 23 & 11).
2. BOLT AND NUT TORQUES:  
 CONNECTING ROD BOLTS 6-8 FT LBS.  
 MOUNTING BASE BOLTS 15-20 FT LBS.

E REVISED BOM		DRAWN MBE		TOLERANCE ON DIMENSIONS NOT OTHERWISE SPECIFIED		FMC Corporation Agricultural Machinery Division Jonesboro Arkansas	
D CHANGE ITEM 22		CHECKED		FRACTIONAL	DECIMAL		ANGULAR
C REV BOM ITEM 7, 22 + TITLE		APPROVED		POWER END ASSEMBLY RH DRIVE A04			FILE SIZE D
B ADDED NAMEPLATE		DATE 10-5-89		MATERIAL			PART NO 5273548
A NUMEROUS CHANGES, SEE ECN		SCALE NONE		SEE BOM			

NEXT ASSEMBLY	NO REQ'D PER ASSEM
FIRST MADE FOR	

## PARTS LIST

CHANGES		ITEM NO	NO REQ'D	DESCRIPTION	PART NUMBER	DWG SIZE	P S ( )
		1	2	CROSSHEAD, SLEEVE	1218743	A	
		2	2	ASSEMBLY CONNECTING ROD	1263906	B	
		3	2	WRIST PIN	1219650	A	
		4	1	CASE	1267611	D	
		5	1	OIL SLINGER	1255285	B	
		6	2	BEARING FAFNIR 205 W	1177804	-	
	A	7	1	BOLTING STRIP	5261980	A	
	A	8	2	STOP NUT	1177576	-	
		9	2	SEAL GARLOCK 205	1219669	-	
		10	2	SNAP RING 5000-206	1113528	-	
		11	4	BEARING INSERT	1263739	B	
		12	4	HHCS 1/4-20x1 LOCK	1278439	-	
		13	1	GASKET, BASE	1219606	B	
		14	6	WASHER, WAVE	1177455	-	
		15	6	HH CAP SCR 3/8-16x3/4	1100068	-	
		16	1	BASE	1255297	B	
		17	1	KEY 3/16 x 1-1/2	1108841	-	
		18	1	CRANKSHAFT	1244980	C	
		19	1	PIPE PLUG 1/4	1105666	-	
		20	2	CROSSHEAD	1216823	B	
		21	1	PIPE PLUG 3/4 SQ HD GALV	1105060	-	
	A	22	2	HEX HD CAP SCREW #10-24x 3/4" LG	320502	-	
		23	1	NAMEPLATE	5277981	A	
		24	2	SELF TAPPING SCREW	1187413	-	

