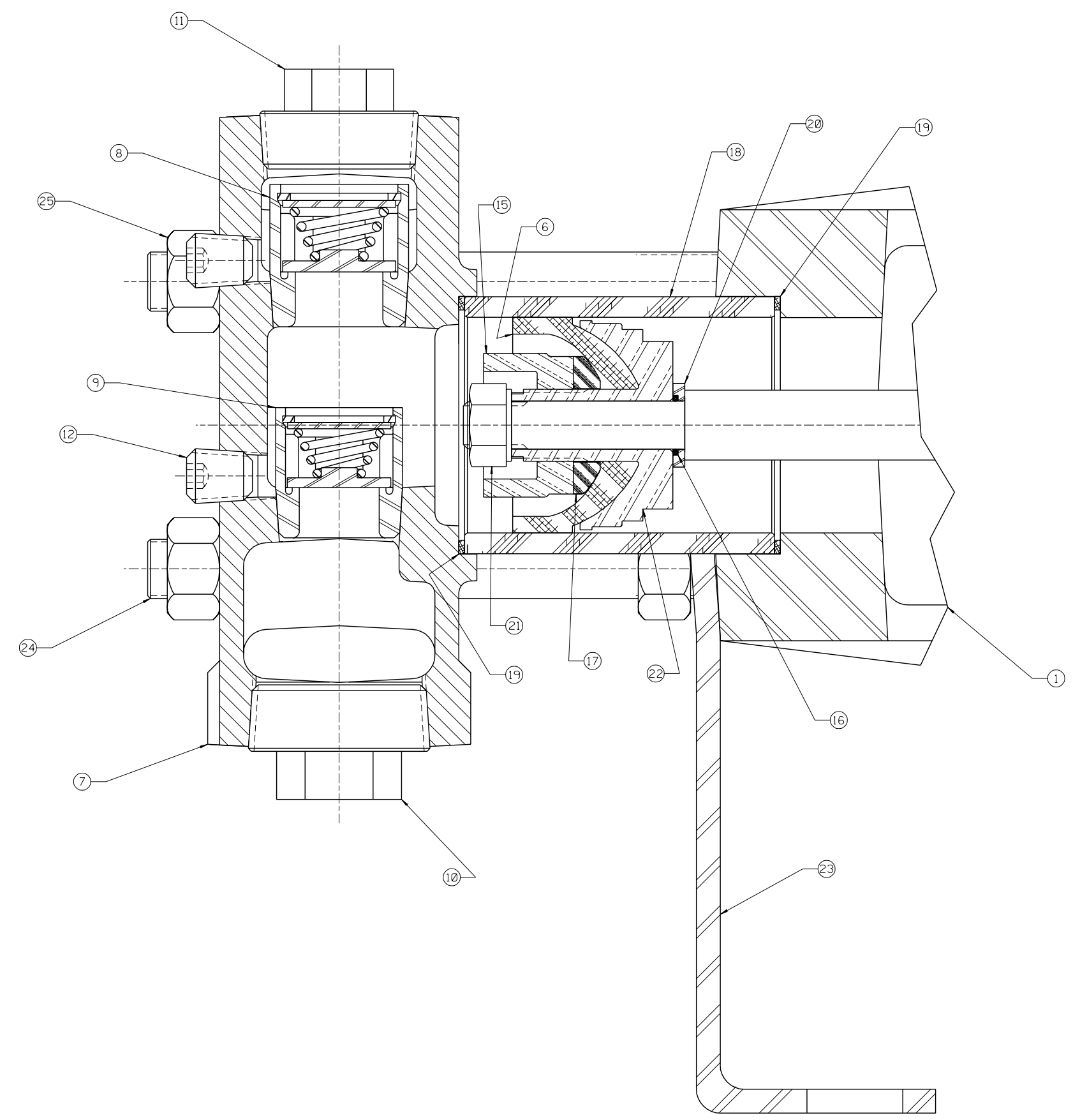


* THESE COMPONENTS ARE LOCATED IN THE FLUID CYLINDER GROUP, ITEM ②
 ** THESE COMPONENTS ARE LOCATED IN THE CYLINDER/PISTON GROUP, ITEM ③
 *** THESE COMPONENTS ARE LOCATED IN THE ATTACHING GROUP, ITEM ④



ITEM	NO. RECD	PART NO.	PART NAME
①	1	3267920	POWER END ASSEMBLY: LH
②	1	3267919	FLUID CYLINDER GROUP:
③	3	3268201	CYLINDER/PISTON GROUP:
④	1	3268146	ATTACHING GROUP:
⑤	1	5266233	LIT KIT:
⑥	3	5260052	PISTON CUP: 2 1/4" DIA, CARBOX. NITRILE
* ⑦	1	5266484	FLUID CYLINDER:
* ⑧	3	5257291	VALVE ASSEMBLY: DISCHARGE
* ⑨	3	5257290	VALVE ASSEMBLY: SUCTION
* ⑩	2	5260800	PLUG: PIPE 1 1/4" NPT
* ⑪	2	5260799	PLUG: PIPE 1" NPT
* ⑫	4	1105666	PLUG: PIPE, 1/4" NPT
* ⑬	1	1177202	CAPLUG: INT 17S (NOT SHOWN)
* ⑭	1	1177203	CAPLUG: INT 20S (NOT SHOWN)
** ⑮	3	A5016	PISTON NUT:
** ⑯	3	1101176	O-RING: 5/8" OD X 1/16" NOM, NITRILE
** ⑰	3	1207289	PISTON WASHER:
** ⑱	3	1209139	CERAMIC CYLINDER: 2 1/4" ID
** ⑲	6	1280024	GASKET: CYLINDER
** ⑳	3	1281655	SEAL HOLDER:
** ㉑	3	8309	HEX NUT: SPECIAL, BRASS
** ㉒	3	8495	CUP HOLDER:
*** ㉓	1	5254219	FRONT FOOT:
*** ㉔	8	5255827	STUD: 5/8"-11 UNC-2A X 7.19 LG
*** ㉕	10	1121513	HEX NUT: 5/8"- 11
*** ㉖	1	1187151	PETCOCK: 1/4" BRASS ESSEX (NOT SHOWN)

NOTES:
 1 TORQUE FASTENERS PER FMC ENGR SPEC AS-22
 2 TEST PUMP PER FMC ENGR SPEC AS-15
 3 STAMP NAMEPLATE PER FMC ENGR SPEC AS-21
 4 PAINT PUMP PER FMC ENGR SPEC CP-20

This drawing is the property of FMC Corporation, and may not be used, reproduced, published, or disclosed to others, without express authorization FMC Corp.		FMC Corporation Fluid Control Division 2825 W. Washington Box 1377 Stephenville, Texas 76481	
Unless Otherwise Specified: Remove all burrs & sharp corners .005 R. All diameters concentric unless .008 1/2". Angles ±1/2° .XX ±.015 .XXX ±.005 Finish 125 RMS All dimensions are in inches		PUMP ASSEMBLY L0618, LH, W/1 1/2" NPT X 1 1/4" NPT FLUID END, CARBOXYLATED NITRILE PISTON CUP & 440 SST DISC VALVE ASSEMBLIES	
N CHANGE QTY ITEM 6 13088 CHJ 10-13-95 M REVISED & REDRAWN 13053 CHJ 07-26-95 REV WAS ECN BY DATE	RELEASED FOR PRODUCTION ECN DATE ✓ 04-25-75	DRAWN CHJ 07-26-95 CKD. SL 07-26-95 APPD. RMC 07-27-95	SCALE: NONE DRAWING NO. 5256704

5256704