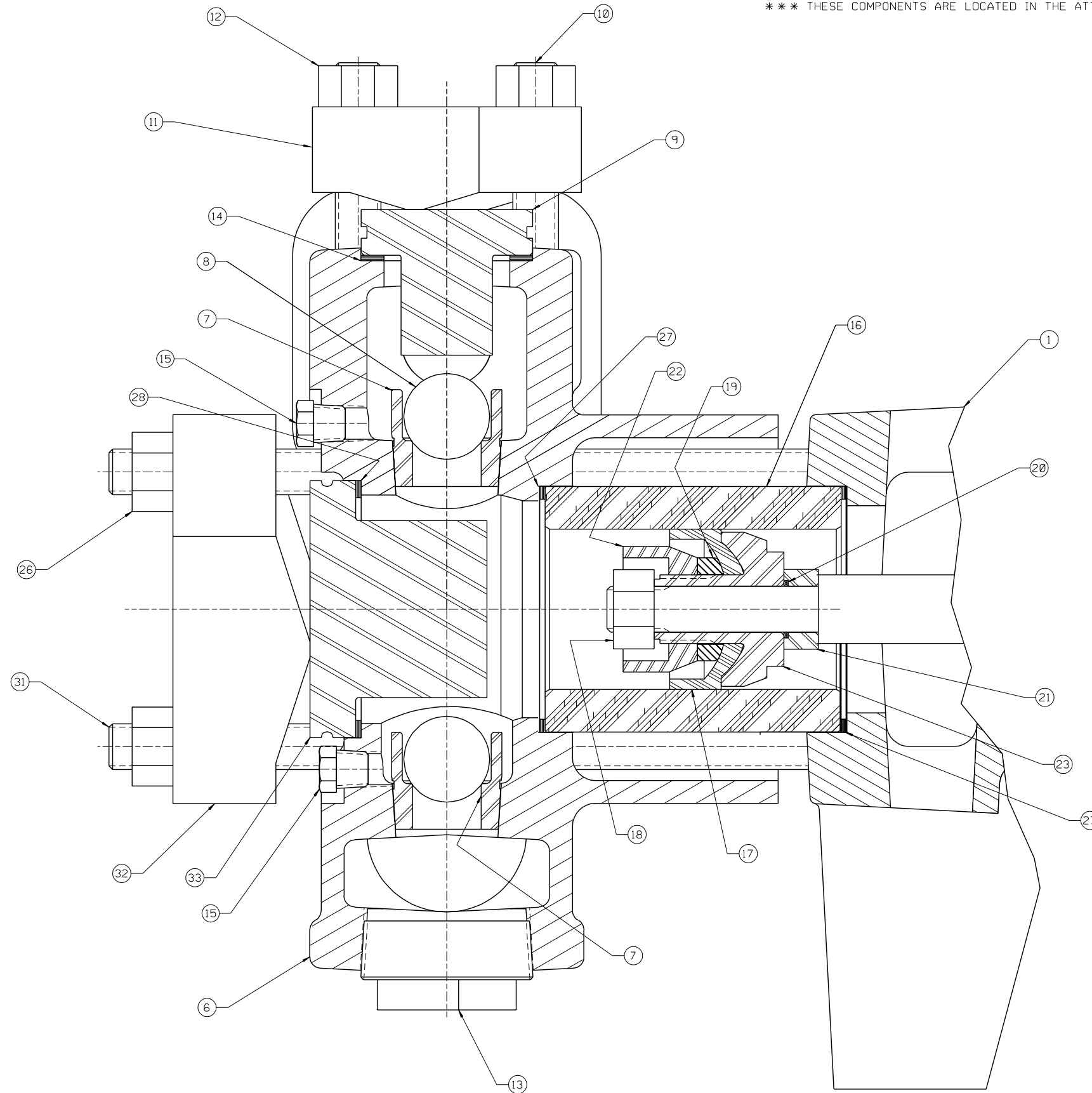



* THESE COMPONENTS ARE LOCATED IN THE FLUID CYLINDER ASSEMBLY, ITEM ②
 ** THESE COMPONENTS ARE LOCATED IN THE CYLINDER/PISTON GROUP, ITEM ③
 *** THESE COMPONENTS ARE LOCATED IN THE ATTACHING GROUP, ITEM ④



| ITEM | NO. RECD | PART NO. | PART NAME |
|-------|----------|----------|---|
| ① | 1 | 5271247 | POWER END ASSEMBLY: LH |
| ② | 1 | 5271252 | FLUID CYLINDER ASSEMBLY: |
| ③ | 3 | 5271257 | CYLINDER/PISTON GROUP: |
| ④ | 1 | 5271263 | ATTACHING GROUP: |
| ⑤ | 1 | 5271266 | MANUAL: |
| * ⑥ | 1 | 1255266 | FLUID CYLINDER: |
| * ⑦ | 6 | 1225327 | VALVE SEAT: , 440 SST |
| * ⑧ | 6 | 1187738 | BALL: 15/16 DIA, 440 SST |
| * ⑨ | 3 | A5003 | VALVE COVER: |
| * ⑩ | 6 | A5012 | STUD: 1/2-13 UNC-2A X 2.81 LG. |
| * ⑪ | 3 | 1271716 | VALVE COVER CLAMP: |
| * ⑫ | 6 | 1121511 | HEX NUT: 1/2-13 |
| * ⑬ | 2 | 1105105 | PLUG: 1 1/2" PIPE |
| * ⑭ | 3 | 1280026 | GASKET: VALVE COVER |
| * ⑮ | 6 | P501267 | PLUG: PIPE, 1/8" NPT |
| ** ⑯ | 3 | 1245739 | CYLINDER: 2 1/4" ID, CERAMIC |
| ** ⑰ | 3 | 1278505 | CUP: NEOPRENE |
| ** ⑱ | 3 | 8309 | HEX NUT: 1/2-13, BRS |
| ** ⑲ | 3 | 1278513 | WASHER: |
| ** ⑳ | 3 | 1101176 | O-RING: 3/8" OD X 1/16" NOM., BUNA-N, 70 DURO |
| ** ㉑ | 3 | 1284632 | SEAL HOLDER: |
| ** ㉒ | 3 | 1284624 | PACKING NUT: |
| ** ㉓ | 3 | 3269025 | CUP HOLDER: |
| *** ㉔ | 1 | 1177203 | CAPLUG: INT. 20S (NOT SHOWN) |
| *** ㉕ | 1 | 1177201 | CAPLUG: INT. 14 (NOT SHOWN) |
| *** ㉖ | 8 | 1121511 | HEX NUT: 1/2-13 |
| *** ㉗ | 6 | 1280024 | GASKET: CYLINDER |
| *** ㉘ | 3 | 1280025 | GASKET: CYLINDER COVER |
| *** ㉙ | 1 | 1187039 | PETCOCK: (NOT SHOWN) |
| *** ㉚ | 2 | A5009 | STUD: 1/2-13 UNC-2A X 6.63 LG. (NS) |
| *** ㉛ | 6 | A5011 | STUD: 1/2-13 UNC-2A X 8.63 LG. |
| *** ㉜ | 3 | 1271415 | CYLINDER HEAD CLAMP: |
| *** ㉝ | 3 | A5002 | CYLINDER COVER: |

NOTES:

- 1 TORQUE FASTENERS PER FMC ENGR SPEC AS-22
- 2 TEST PUMP PER FMC ENGR SPEC AS-15
- 3 STAMP NAMEPLATE PER FMC ENGR SPEC AS-21
- 4 PAINT PUMP PER FMC ENGR SPEC CP-20

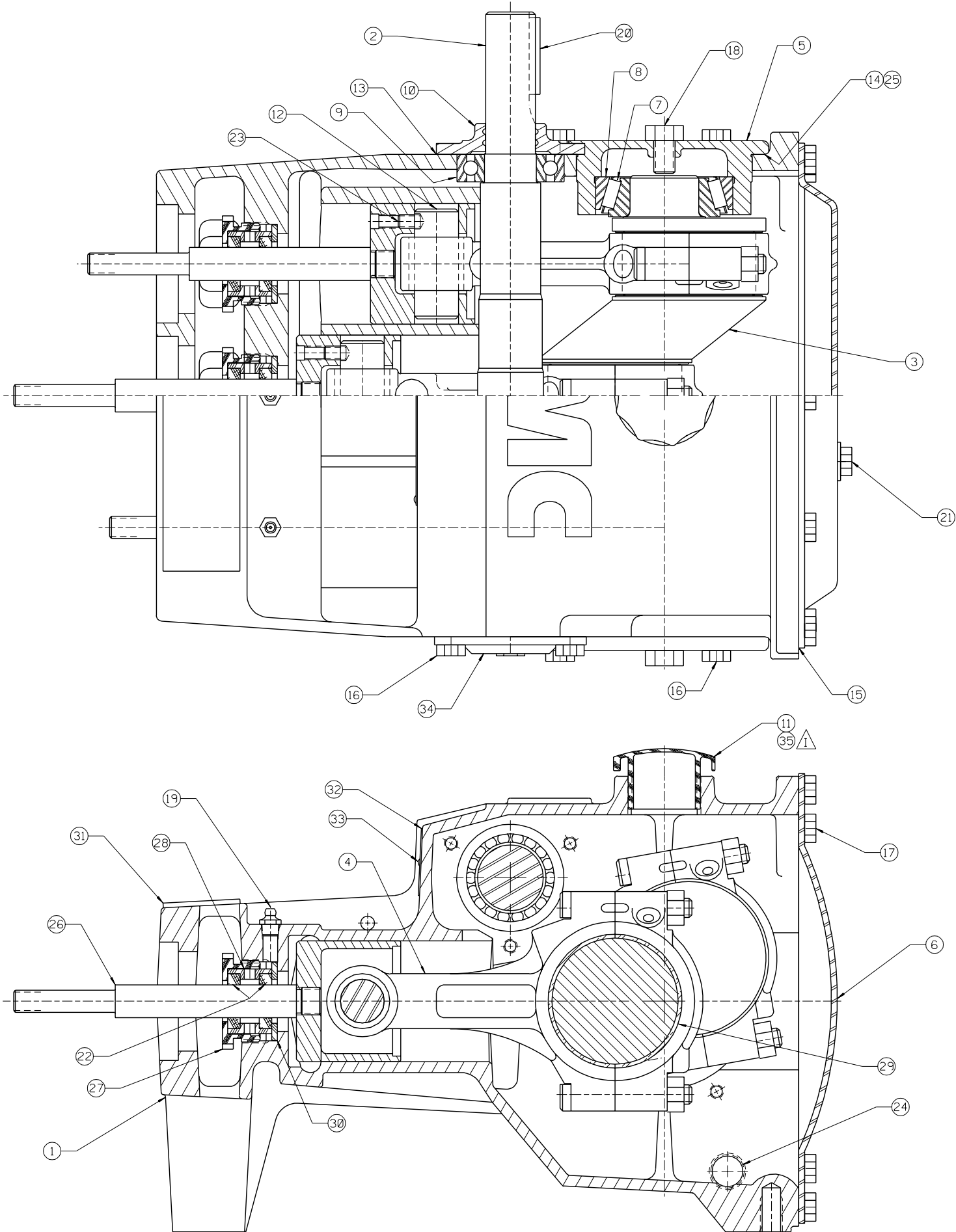
| | | | |
|--|----------|---|--------------|
| This drawing is the property of FMC Corporation, and may not be used, reproduced, published, or disclosed to others, without express authorization FMC Corp. | |  FMC Corporation Fluid Control Division 2825 W. Washington Box 1377 Stephenville, Texas 76481 | |
| Unless Otherwise Specified: Remove all burrs & sharp corners .005 R. All diameters concentric unless .001 LSC. Angles ±1/2° .X ±.01 .XX ±.015 .XXX ±.005 Finish 125 RMS All dimensions are in inches | | PUMP ASSEMBLY F/L0914BCD, LH, W/1 1/2" NPT X 1" NPT FLUID END, NEOP PACKING, 440 SST BALL VALVE ASSYS | |
| RELEASED FOR PRODUCTION | DRAWN | BKM | 06-15-98 |
| ECN | DATE | SCALE: | NONE |
| REV | WAS | ECN | BY DATE |
| ✓ | 02-29-98 | APPD. | JC |
| | | CD. | SJK 06-17-98 |
| | | SIZE | 01 |
| | | APPD. | JC 06-30-98 |
| | | DRAWING NO. | 1279017 |

| | | | |
|-----|-----------------|----------|---------|
| L | REV & DIGITIZED | 06-15-98 | BKM |
| REV | WAS | ECN | BY DATE |

1279017

2

| ITEM | NO. REQD | PART NO. | PART NAME | |
|------|----------|----------|--------------------------|---|
| | | | | |
| ① | 1 | 5271247 | POWER END ASSEMBLY: LH | |
| ② | 1 | 5271252 | FLUID CYLINDER ASSEMBLY: | |
| ③ | 3 | 5271257 | CYLINDER/PISTON GROUP: | |
| ④ | 1 | 5271263 | ATTACHING GROUP: | |
| ⑤ | 1 | 5271266 | MANUAL: | |
| | | | | |
| * | ⑥ | 1 | 1255266 | FLUID CYLINDER: |
| * | ⑦ | 6 | 1225327 | VALVE SEAT: , 440 SST |
| * | ⑧ | 6 | 1187738 | BALL: $1\frac{5}{16}$ " DIA, 440 SST |
| * | ⑨ | 3 | A5003 | VALVE COVER: |
| * | ⑩ | 6 | A5012 | STUD: $\frac{1}{2}$ -13 UNC-2A X 2.81 LG. |
| * | ⑪ | 3 | 1271716 | VALVE COVER CLAMP: |
| * | ⑫ | 6 | 1121511 | HEX NUT: $\frac{1}{2}$ -13 |
| * | ⑬ | 2 | 1105105 | PLUG: $1\frac{1}{2}$ " PIPE |
| * | ⑭ | 3 | 1280026 | GASKET: VALVE COVER |
| * | ⑮ | 6 | P501267 | PLUG: PIPE, $\frac{1}{8}$ " NPT |
| ** | ⑯ | 3 | 1245739 | CYLINDER: $2\frac{1}{4}$ " ID, CERAMIC |
| ** | ⑰ | 3 | 1278505 | CUP: NEOPRENE |
| ** | ⑱ | 3 | 8309 | HEX NUT: $\frac{1}{2}$ -13, BRS |
| ** | ⑲ | 3 | 1278513 | WASHER: |
| ** | ⑳ | 3 | 1101176 | O-RING: $\frac{5}{8}$ " OD X $\frac{1}{16}$ " NOM., BUNA-N, 70 DURO |
| ** | ㉑ | 3 | 1284632 | SEAL HOLDER: |
| ** | ㉒ | 3 | 1284624 | PACKING NUT: |
| ** | ㉓ | 3 | 3269025 | CUP HOLDER: |
| *** | ㉔ | 1 | 1177203 | CAPLUG: INT. 2ØS (NOT SHOWN) |
| *** | ㉕ | 1 | 1177201 | CAPLUG: INT. 14 (NOT SHOWN) |
| *** | ㉖ | 8 | 1121511 | HEX NUT: $\frac{1}{2}$ -13 |
| *** | ㉗ | 6 | 1280024 | GASKET: CYLINDER |
| *** | ㉘ | 3 | 1280025 | GASKET: CYLINDER COVER |
| *** | ㉙ | 1 | 1187039 | PETCOCK: (NOT SHOWN) |
| *** | ㉚ | 2 | A5009 | STUD: $\frac{1}{2}$ -13 UNC-2A X 6.63 LG. (NS) |
| *** | ㉛ | 6 | A5011 | STUD: $\frac{1}{2}$ -13 UNC-2A X 8.63 LG. |
| *** | ㉜ | 3 | 1271415 | CYLINDER HEAD CLAMP: |
| *** | ㉝ | 3 | A5002 | CYLINDER COVER: |



| ITEM | NO. RECD | PART NO. | PART NAME |
|------|----------|----------|---|
| ① | 1 | 5260537 | POWER FRAME: |
| ② | 1 | 1265098 | PINION SHAFT: |
| ③ | 1 | 1279071 | ECCENTIRC GEAR ASSEMBLY: |
| ④ | 3 | 18710 | CONNECTING ROD ASSEMBLY: |
| ⑤ | 2 | 1279064 | ECCENTRIC BEARING CAP: |
| ⑥ | 1 | 1279063 | BACKCOVER: |
| ⑦ | 2 | 1101242 | BEARING CONE: 1.56 ID, TIM #26881 |
| ⑧ | 2 | 1177287 | BEARING CUP: 3.125 OD, TIM #26822 |
| ⑨ | 2 | 1104444 | BALL BEARING: 1.18 ID, SINGLE ROW |
| ⑩ | 1 | A5005 | PINION BEARING CAP: |
| ⑪ | 1 | A5054 | OIL CAP: |
| ⑫ | 3 | A5006 | WRIST PIN: |
| ⑬ | 2 | A5026 | GASKET: PINION CAP |
| ⑭ | 2 | A5025 | GASKET: BEARING CAP |
| ⑮ | 1 | 1279065 | GASKET: BACKCOVER |
| ⑯ | 12 | 1100068 | HEX HD. CAP SCREW: 3/8-16 X 3/4" LG. |
| ⑰ | 14 | 1106910 | HEX HD. CAP SCREW: 3/8-16 X 1/2" LG. |
| ⑱ | 2 | 1106980 | HEX HD. CAP SCREW: 1/2-13 X 3/4" LG. |
| ⑲ | 3 | 1100759 | LUBE FITTING: |
| ⑳ | 1 | 1187577 | KEY: 1/4" SQ. X 1 3/4" LG. |
| ⚠ ㉑ | 1 | 3269460 | PLUG: PIPE, 1/8" NPT, POLY (NS) |
| ㉒ | 6 | 1283603 | OIL SEAL: PLUNGER ROD |
| ㉓ | 6 | 1103470 | SET SCREW: 5/16-18 X 1/2" LG., SOC. HD. |
| ㉔ | 2 | 1187048 | PLUG: 1/2" PIPE, MAG. |
| ㉕ | 5 | 1252594 | SHIM: |
| ㉖ | 3 | 1250876 | CROSSHEAD ASSEMBLY: |
| ㉗ | 3 | 1283600 | PACKING NUT: |
| ㉘ | 3 | 1283601 | SLEEVE: |
| ⚠ ㉙ | 6 | P506697 | ROD BEARING |
| ㉚ | 3 | 1283602 | PACKING WASHER: |
| ㉛ | 1 | 1214260 | INSPECTION PLATE: |
| ㉜ | 1 | 5277981 | NAMEPLATE: |
| ㉝ | 2 | 1187413 | SELF-TAPPING SCREW: #4 X 3/16" LG. |
| ㉞ | 1 | 1225769 | PINION BEARING CAP: CLOSED |
| ⚠ ㉟ | 1 | 3269461 | PLUG: PIPE, 1 1/4" NPT, POLY, (NS) |

NOTES:
 1 TORQUE FASTENERS PER FMC ENGR SPEC AS-22
 ⚠ 2 ITEMS 21 AND 35 TO BE INSTALLED AFTER TESTING BEFORE CLEANING AND PAINTING

| | | | |
|---|---------------------|---|---|
| This drawing is the property of FMC Corporation and may not be used, reproduced, published, or disclosed to others without express authorization FMC Corp. | | FMC Corporation Fluid Control Division 2825 W. Washington Box 1377 Stephenville, Texas 76481 | |
| Unless Otherwise Specified: Remove all burrs & sharp corners .005 R. All diameters concentric unless .001 I.D. Angles ±1/2° .X ±.015 .XX ±.015 .XXX ±.005 Finish 125 RMS All dimensions are in inches | | POWER END ASSEMBLY F/L09, LH | |
| J | REVISE BOM | 500582 | DRG 05-15-00 |
| I | REVISE BOM | 500481 | BKM 09-29-97 |
| H | REVISED & DIGITIZED | 12755 | CHJ 03-13-95 |
| REV | WAS | ECN | BY DATE |
| RELEASED FOR PRODUCTION ECN DATE | | DRAWN CHJ 03-13-95 CKD. GWM 03-14-95 APPD. RMC 03-14-95 | SCALE: NONE SIZE: DRAWING NO. D 5271247 |

| ITEM | NO. REQD | PART NO. | PART NAME |
|------|----------|----------|---|
| ① | 1 | 5260537 | POWER FRAME: |
| ② | 1 | 1265098 | PINION SHAFT: |
| ③ | 1 | 1279071 | ECCENTIRC GEAR ASSEMBLY: |
| ④ | 3 | 18710 | CONNECTING ROD ASSEMBLY: |
| ⑤ | 2 | 1279064 | ECCENTRIC BEARING CAP: |
| ⑥ | 1 | 1279063 | BACKCOVER: |
| ⑦ | 2 | 1101242 | BEARING CONE: 1.56 ID, TIM #26881 |
| ⑧ | 2 | 1177287 | BEARING CUP: 3.125 OD, TIM #26822 |
| ⑨ | 2 | 1104444 | BALL BEARING: 1.18 ID, SINGLE ROW |
| ⑩ | 1 | A5005 | PINION BEARING CAP: |
| ⑪ | 1 | A5054 | OIL CAP: |
| ⑫ | 3 | A5006 | WRIST PIN: |
| ⑬ | 2 | A5026 | GASKET: PINION CAP |
| ⑭ | 2 | A5025 | GASKET: BEARING CAP |
| ⑮ | 1 | 1279065 | GASKET: BACKCOVER |
| ⑯ | 12 | 1100068 | HEX HD. CAP SCREW: $\frac{3}{8}$ -16 X $\frac{3}{4}$ " LG. |
| ⑰ | 14 | 1106910 | HEX HD. CAP SCREW: $\frac{3}{8}$ -16 X $\frac{1}{2}$ " LG. |
| ⑱ | 2 | 1106980 | HEX HD. CAP SCREW: $\frac{1}{2}$ -13 X $\frac{3}{4}$ " LG. |
| ⑲ | 3 | 1100759 | LUBE FITTING: |
| ⑳ | 1 | 1187577 | KEY: $\frac{1}{4}$ " SQ. X $1\frac{3}{4}$ " LG. |
| ㉑ | 1 | 3269460 | PLUG: PIPE, $\frac{1}{8}$ " NPT, POLY (NS) |
| ㉒ | 6 | 1283603 | OIL SEAL: PLUNGER ROD |
| ㉓ | 6 | 1103470 | SET SCREW: $\frac{5}{16}$ -18 X $\frac{1}{2}$ " LG., SOC. HD. |
| ㉔ | 2 | 1187048 | PLUG: $\frac{1}{2}$ " PIPE, MAG. |
| ㉕ | 5 | 1252594 | SHIM: |
| ㉖ | 3 | 1250876 | CROSSHEAD ASSEMBLY: |
| ㉗ | 3 | 1283600 | PACKING NUT: |
| ㉘ | 3 | 1283601 | SLEEVE: |
| ㉙ | 6 | P506697 | ROD BEARING |
| ㉚ | 3 | 1283602 | PACKING WASHER: |
| ㉛ | 1 | 1214260 | INSPECTION PLATE: |
| ㉜ | 1 | 5277981 | NAMEPLATE: |
| ㉝ | 2 | 1187413 | SELF-TAPPING SCREW: #4 X $\frac{3}{16}$ " LG. |
| ㉞ | 1 | 1225769 | PINION BEARING CAP: CLOSED |
| ㉟ | 1 | 3269461 | PLUG: PIPE, $1\frac{1}{4}$ " NPT, POLY, (NS) |

△

△

△