

* THESE COMPONENTS ARE LOCATED IN THE FLUID CYLINDER ASSEMBLY, ITEM ②
 ** THESE COMPONENTS ARE LOCATED IN THE CYLINDER/PISTON GROUP, ITEM ③
 *** THESE COMPONENTS ARE LOCATED IN THE ATTACHING GROUP, ITEM ④

ITEM	NO. RECD	PART NO.	PART NAME
①	1	5271247	POWER END ASSEMBLY: DBL EXT
②	1	5271255	FLUID CYLINDER ASSEMBLY:
③	1	5271258	CYLINDER/PISTON GROUP:
④	1	5271263	ATTACHING GROUP:
⑤	1	5266229	MANUAL:
* ⑥	1	1255266	FLUID CYLINDER:
* ⑦	6	1256641	VALVE ASSEMBLY: DISC, 440 SST
* ⑧	3	A5003	VALVE COVER:
* ⑨	6	A5012	STUD: 1/2-13 UNC-2A X 2.81 LG.
* ⑩	3	1271716	VALVE COVER CLAMP:
* ⑪	6	1121511	HEX NUT: 1/2-13
* ⑫	2	1105105	PLUG: 1 1/2" PIPE
* ⑬	6	P501267	PLUG: HEX HD, 1/8" PIPE
* ⑭	3	1280026	GASKET: VALVE COVER
** ⑮	3	1272060	CYLINDER: 2 1/4" ID, CERAMIC
** ⑯	3	A3434N	CUP: NEOPRENE
** ⑰	3	8309	HEX NUT: 1/2-13, BRS
** ⑱	3	1207289	WASHER:
** ⑲	3	1101176	O-RING: 3/8" OD X 1/8" NOM., BUNA-N, 70 DURO
** ⑳	3	1281655	SEAL HOLDER:
** ㉑	3	A5016	PACKING NUT:
** ㉒	3	8495	CUP HOLDER:
*** ㉓	1	1177203	CAPLUG: INT. 20S (NOT SHOWN)
*** ㉔	1	1177201	CAPLUG: INT. 14 (NOT SHOWN)
*** ㉕	8	1121511	HEX NUT: 1/2-13
*** ㉖	6	1280024	GASKET: CYLINDER
*** ㉗	3	1280025	GASKET: CYLINDER COVER
*** ㉘	1	1187039	PETCOCK: (NOT SHOWN)
*** ㉙	2	A5009	STUD: 1/2-13 UNC-2A X 6.63 LG. (NS)
*** ㉚	6	A5011	STUD: 1/2-13 UNC-2A X 8.63 LG.
*** ㉛	3	1271415	CYLINDER HEAD CLAMP:
*** ㉜	3	A5002	CYLINDER COVER:

NOTES:
 1 TORQUE FASTENERS PER FMC ENGR SPEC AS-22
 2 TEST PUMP PER FMC ENGR SPEC AS-15
 3 STAMP NAMEPLATE PER FMC ENGR SPEC AS-21
 4 PAINT PUMP PER FMC ENGR SPEC CP-20

This drawing is the property of FMC Corporation, and may not be used, reproduced, published, or disclosed to others, without express authorization FMC Corp.

FMC FMC Corporation
 Fluid Control Division
 2825 W. Washington Box 1377
 Stephenville, Texas 76481

Unless Otherwise Specified:
 Remove all burrs & sharp corners .005 R.
 All diameters concentric unless .001 LSC.

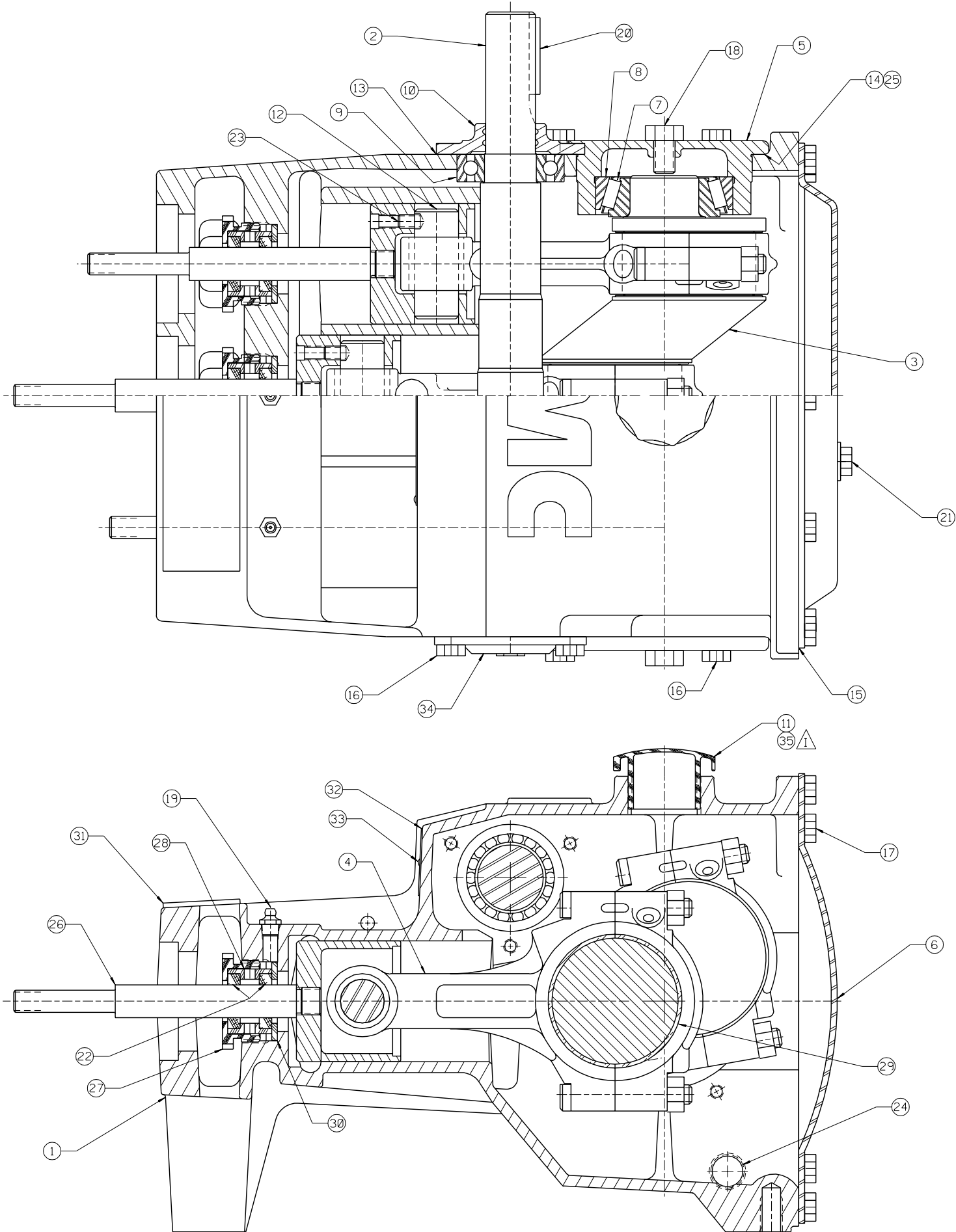
Angles ±1/2°
 .XX ±.015
 .XXX ±.005
 Finish 125 RMS
 All dimensions are in inches

PUMP ASSEMBLY
 L0918D, W/1 1/2" NPT X 1" NPT FLUID END,
 CERAMIC CYLINDER, NEOPRENE
 CUP & 440 SST VALVE ASSYS

I	REV & DIGITIZED	06-09-98	BKM	06-09-98	SCALE: NONE
REV	WAS	02-23-79	ECN	DATE	APPD. JC

1279031

	ITEM	NO. REQD	PART NO.	PART NAME
M (2)				
(3)	(1)	1	5271247	POWER END ASSEMBLY: DBL EXT
	(2)	1	5271255	FLUID CYLINDER ASSEMBLY:
	(3)	1	5271258	CYLINDER/PISTON GROUP:
	(4)	1	5271263	ATTACHING GROUP:
	(5)	1	5266229	MANUAL:
*	(6)	1	1255266	FLUID CYLINDER:
*	(7)	6	1256641	VALVE ASSEMBLY: DISC, 44Ø SST
*	(8)	3	A5ØØ3	VALVE COVER:
*	(9)	6	A5Ø12	STUD: ½-13 UNC-2A X 2.81 LG.
*	(10)	3	1271716	VALVE COVER CLAMP:
*	(11)	6	1121511	HEX NUT: ½-13
*	(12)	2	11Ø51Ø5	PLUG: 1½" PIPE
*	(13)	6	P5Ø1267	PLUG: HEX HD, ⅛" PIPE
*	(14)	3	128ØØ26	GASKET: VALVE COVER
**	(15)	3	1272Ø6Ø	CYLINDER: 2¼" ID, CERAMIC
**	(16)	3	A3434N	CUP: NEOPRENE
**	(17)	3	83Ø9	HEX NUT: ½-13, BRS
**	(18)	3	12Ø7289	WASHER:
**	(19)	3	11Ø1176	O-RING: ⅝" OD X ⅛" NOM., BUNA-N, 7Ø DURO
**	(20)	3	1281655	SEAL HOLDER:
**	(21)	3	A5Ø16	PACKING NUT:
**	(22)	3	8495	CUP HOLDER:
***	(23)	1	11772Ø3	CAPLUG: INT. 2ØS (NOT SHOWN)
***	(24)	1	11772Ø1	CAPLUG: INT. 14 (NOT SHOWN)
***	(25)	8	1121511	HEX NUT: ½-13
***	(26)	6	128ØØ24	GASKET: CYLINDER
***	(27)	3	128ØØ25	GASKET: CYLINDER COVER
***	(28)	1	1187Ø39	PETCOCK: (NOT SHOWN)
***	(29)	2	A5ØØ9	STUD: ½-13 UNC-2A X 6.63 LG. (NS)
***	(30)	6	A5Ø11	STUD: ½-13 UNC-2A X 8.63 LG.
***	(31)	3	1271415	CYLINDER HEAD CLAMP:
***	(32)	3	A5ØØ2	CYLINDER COVER:



ITEM	NO. RECD	PART NO.	PART NAME
①	1	5260537	POWER FRAME:
②	1	1265098	PINION SHAFT:
③	1	1279071	ECCENTIRC GEAR ASSEMBLY:
④	3	18710	CONNECTING ROD ASSEMBLY:
⑤	2	1279064	ECCENTRIC BEARING CAP:
⑥	1	1279063	BACKCOVER:
⑦	2	1101242	BEARING CONE: 1.56 ID, TIM #26881
⑧	2	1177287	BEARING CUP: 3.125 OD, TIM #26822
⑨	2	1104444	BALL BEARING: 1.18 ID, SINGLE ROW
⑩	1	A5005	PINION BEARING CAP:
⑪	1	A5054	OIL CAP:
⑫	3	A5006	WRIST PIN:
⑬	2	A5026	GASKET: PINION CAP
⑭	2	A5025	GASKET: BEARING CAP
⑮	1	1279065	GASKET: BACKCOVER
⑯	12	1100068	HEX HD. CAP SCREW: 3/8-16 X 3/4" LG.
⑰	14	1106910	HEX HD. CAP SCREW: 3/8-16 X 1/2" LG.
⑱	2	1106980	HEX HD. CAP SCREW: 1/2-13 X 3/4" LG.
⑲	3	1100759	LUBE FITTING:
⑳	1	1187577	KEY: 1/4" SQ. X 1 3/4" LG.
⚠⑳	1	3269460	PLUG: PIPE, 1/8" NPT, POLY (NS)
㉑	6	1283603	OIL SEAL: PLUNGER ROD
㉒	6	1103470	SET SCREW: 5/16-18 X 1/2" LG., SOC. HD.
㉓	2	1187048	PLUG: 1/2" PIPE, MAG.
㉔	5	1252594	SHIM:
㉕	3	1250876	CROSSHEAD ASSEMBLY:
㉖	3	1283600	PACKING NUT:
㉗	3	1283601	SLEEVE:
⚠㉘	6	P506697	ROD BEARING
㉙	3	1283602	PACKING WASHER:
㉚	1	1214260	INSPECTION PLATE:
㉛	1	5277981	NAMEPLATE:
㉜	2	1187413	SELF-TAPPING SCREW: #4 X 3/16" LG.
㉝	1	1225769	PINION BEARING CAP: CLOSED
⚠㉞	1	3269461	PLUG: PIPE, 1 1/4" NPT, POLY, (NS)

NOTES:
 1 TORQUE FASTENERS PER FMC ENGR SPEC AS-22
 ⚠2 ITEMS 21 AND 35 TO BE INSTALLED AFTER TESTING BEFORE CLEANING AND PAINTING

This drawing is the property of FMC Corporation, and may not be used, reproduced, published, or disclosed to others, without express authorization FMC Corp.	FMC Corporation Fluid Control Division 2825 W. Washington Box 1377 Stephenville, Texas 76481	
	POWER END ASSEMBLY F/L09, LH	
Unless Otherwise Specified: Remove all burrs & sharp corners .005 R. All diameters concentric unless .001 I.D. Angles ±1/2° .X ±.015 .XX ±.015 .XXX ±.005 Finish 125 RMS All dimensions are in inches	RELEASED FOR PRODUCTION ECN DATE	
J REVISE BOM 500582 DRG 05-15-00 I REVISE BOM 500481 BKM 09-29-97 H REVISED & DIGITIZED 12755 CHJ 03-13-95 REV WAS ECN BY DATE	DRAWN CHJ 03-13-95 CKD. GWM 03-14-95 APPD. RMC 03-14-95	SCALE: NONE SIZE: DRAWING NO. 5271247

ITEM	NO. REQD	PART NO.	PART NAME
(1)	1	5260537	POWER FRAME:
(2)	1	1265098	PINION SHAFT:
(3)	1	1279071	ECCENTIRC GEAR ASSEMBLY:
(4)	3	18710	CONNECTING ROD ASSEMBLY:
(5)	2	1279064	ECCENTRIC BEARING CAP:
(6)	1	1279063	BACKCOVER:
(7)	2	1101242	BEARING CONE: 1.56 ID, TIM #26881
(8)	2	1177287	BEARING CUP: 3.125 OD, TIM #26822
(9)	2	1104444	BALL BEARING: 1.18 ID, SINGLE ROW
(10)	1	A5005	PINION BEARING CAP:
(11)	1	A5054	OIL CAP:
(12)	3	A5006	WRIST PIN:
(13)	2	A5026	GASKET: PINION CAP
(14)	2	A5025	GASKET: BEARING CAP
(15)	1	1279065	GASKET: BACKCOVER
(16)	12	1100068	HEX HD. CAP SCREW: $\frac{3}{8}$ -16 X $\frac{3}{4}$ " LG.
(17)	14	1106910	HEX HD. CAP SCREW: $\frac{3}{8}$ -16 X $\frac{1}{2}$ " LG.
(18)	2	1106980	HEX HD. CAP SCREW: $\frac{1}{2}$ -13 X $\frac{3}{4}$ " LG.
(19)	3	1100759	LUBE FITTING:
(20)	1	1187577	KEY: $\frac{1}{4}$ " SQ. X $1\frac{3}{4}$ " LG.
(21)	1	3269460	PLUG: PIPE, $\frac{1}{8}$ " NPT, POLY (NS)
(22)	6	1283603	OIL SEAL: PLUNGER ROD
(23)	6	1103470	SET SCREW: $\frac{5}{16}$ -18 X $\frac{1}{2}$ " LG., SOC. HD.
(24)	2	1187048	PLUG: $\frac{1}{2}$ " PIPE, MAG.
(25)	5	1252594	SHIM:
(26)	3	1250876	CROSSHEAD ASSEMBLY:
(27)	3	1283600	PACKING NUT:
(28)	3	1283601	SLEEVE:
(29)	6	P506697	ROD BEARING
(30)	3	1283602	PACKING WASHER:
(31)	1	1214260	INSPECTION PLATE:
(32)	1	5277981	NAMEPLATE:
(33)	2	1187413	SELF-TAPPING SCREW: #4 X $\frac{3}{16}$ " LG.
(34)	1	1225769	PINION BEARING CAP: CLOSED
(35)	1	3269461	PLUG: PIPE, $1\frac{1}{4}$ " NPT, POLY, (NS)

△

△

△