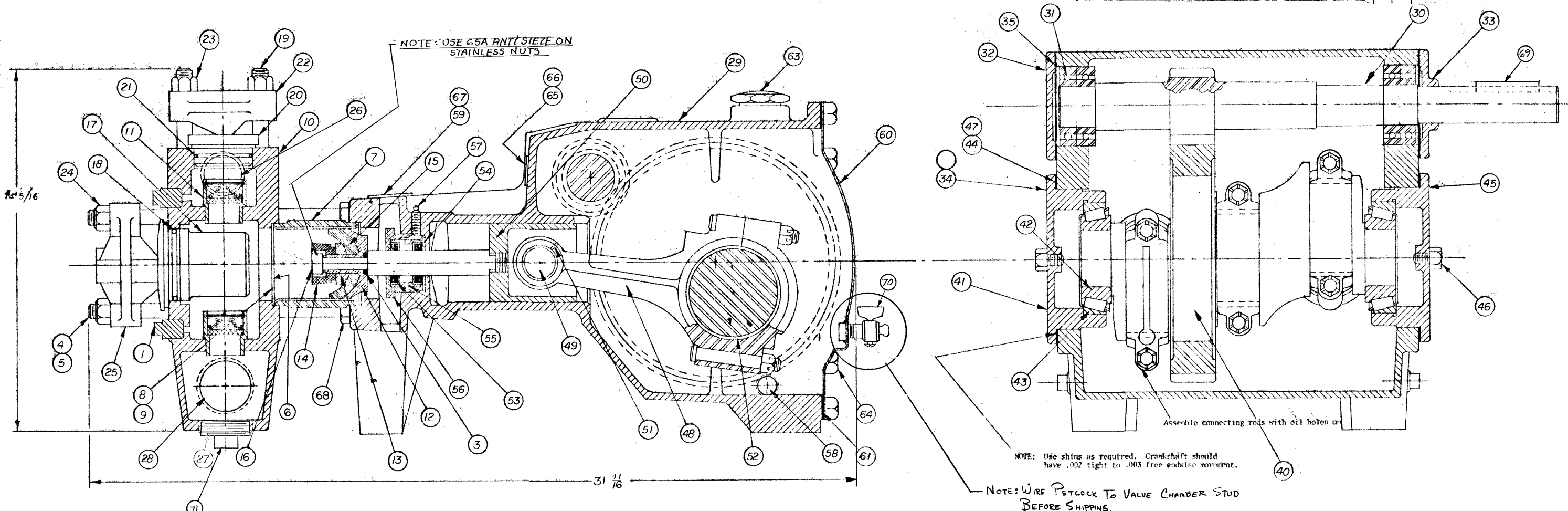


SPECIAL INSTRUCTIONS

- TEST FOR 30 MINUTES... 1200 PSI @ 1270 RPM
- AFTER TEST REMOVE PINION BEARING COVERS ITEMS 32 & 33 AND PACK BEARINGS WITH FILTERED LITHIUM BASE GREASE.

PARTS LIST				ITEM NO.	QTY.	DESCRIPTION	PART NUMBER	REV.	DATE
67	2	HHCS 1/4-20 x 1/2 GR5 C/Z	1100804	N					
68	8	JAM NUT 5/8-11	1121555	K7					
69	1	KEY 3/8 SQ X 2 1/2 PLN	1104349	N	L1				
70	1	PETCOCK VA BRMS	1187029	N	L2				
71	3	PLUG 2 PIPE BLK STD	1105121	N	L3				
45	6	HHCS 1/2-13 x 1-1/4 GR5 C/Z	1100055	N					
46	2	HHCS 1/2-13 x 3/4 GR2 Pln	1106980	N					
47	2	Gasket	A91675	A					
48	3	Connect Rod L11	5266814	C					
49	3	Pin	A91014	A					
50	3	Crosshead & Rod	1252939	B					
51	6	Set Sc 5/16-18 x 5/16 Soc Hd Kn	1182554	N					
52	6	Bearing Shell	1284709	B					
53	6	Oil Seal 1" S x 1.75 x 3/8 Bonded	1177489	A					
54	3	Pkg Washer	19510	A					
55	3	Sleeve, Pkg Nut	1266365	A					
56	3	Nut, Plunger Rod	1266323	A					
57	3	1/8 Lube Ptg Str C/Z Lincoln #5000	1100759	N					
58	2	1/2 Plug Magnetic Sq Hd M-Iron	1187048	N					
59	1	Inspection Plate	5260567	A					
60	1	Cover Plate	1250332	B					
61	1	Gasket Cover	A91676	B					
62									
63	1	Oil Cap	A5054	B					
64	14	HHCS 1/2-13 x 3/4 GR2 Pln	1106980	N					
65	1	Nameplate	5262738	A					
66	2	Tang Sc #4 x 3/16 Rd Hd Slotted	1187413	N					
23	6	Hex Nut 1/2-13 Fin C/Z	1121511	N					
24	8	STOP NUT 5/8-11	1120244	N	K4				
25	3	Clamp Cyl. Head	A80392	A					
26	3	Caplug Int 17S	1177202	N					
27									
28	2	Caplug Int 44	1177205	N	H				
29	1	Pump Case L11	5257698	D					
30	1	Pinion Shaft L11	5257342	C	K4				
31	2	Ball Brg,	1272560	A	K4				
32	1	Pinion Brg Cap Cl	1266789	B					
33	1	Bearing Cap	A80795	A	C				
34	6	HHCS 1/2-13 x 1-1/4 GR5 C/Z	1100055	N	E				
35	2	Gasket	A91674	A					
36									
37									
38									
39									
40	1	Eccentric & Gear Assy	1285094	B					
41	2	Eccentric Cap	1248369	C					
42	2	Cone Bearing 2.25" Tim #39581 Type TS	1177473	N					
43	2	Cup Bearing 4.437D Tim #39520	1177474	N					
44	6	Shims	1252595	B					
1	4	1/8 Pipe Plug STD.	1107173	N					
2	3	O Ring 5/8 OD x 1/16 Buna-N A70	1101176	N					
3	6	Stud 5/8 x 11-7/8	5264360	A	K1				
4	2	Stud 5/8 x 9-1/2	5264359	A	K2				
5	3	Gasket Cylinder	5264361	A	K3				
6	3	Cyl. Ceramic 2 1/4	5257510	B	J				
7	3	O Ring 3.25 OD x .060	5257921	A	H				
8	3	Ring Seal Cyl	1284369	A					
9	1	Valve Chamber	5267113	D					
10	6	Valve Assy, L11 Pump	5257585	A					
11	3	Plunger Cup 2-1/4"	5257337	A					
12	3	Washer	1207289	A					
13	3	Plunger Nut	1247642	A					
14	3	Cyl. Packing 2-1/4"	5260032	A					
15	3	Hex Nut 1/2-13 LTTHN ESNA	520216	N					
16	3	Cover Cyl. Hd	1283531	B					
17	3	O Ring 3-1/8" OD x 1/8 Buna-N A70	1177476	N					
18	6	Stud 1/2-13 x 3-3/4	1248372	A					
19	3	Valve Cover R6-60	1283530	B					
20	3	O Ring 2-3/8" OD x 1/8 Buna-N A70	1181154	N					
21	3	Clamp Casting	1247716	A					



NOTES:

Fill with five quarts SAE 30 wt. non-detergent oil.
 Test pump for 15 minutes.
 Pump rust preventive solution through valve chamber.
 Drain oil.
 Purge valve chamber with compressed air.
 Stamp nameplate as follows:

Boil and Nut Torques:

Connecting Rods 65 FT-LB
 Bearing Cover 50 FT-LB
 Cover Studs & Cyl. Cover 50 FT-LB
 Valve Cover 60 FT-LB

FMC		Bean Pump	
Intermittent Rating	Continuous Rating	Model No. L11BD-1	Part No. 5261402
HP @ PSI	50 HP @ 1450 PSI	Serial No.	
KW @ KPa	37 KW @ 1118 KPa	US Patents	
Max Cap.	50 GPM (187 L/Min) @ 1270 RPM		

P	MODULIZED BOM	DH	7-15-85	G	WAS 1276364	DW	4-6-81
O	WAS 5257262	SP	10/9/84	F	WAS 1121511	HF	6-13-80
N	CONN ROD PIN WAS 18711	JC	9/12/84	E	WAS 1223505, 1223504	HF	6-13-80
M	QTY WAS 6	DW	3/22/83	D	WAS 5255419	HF	4-29-80
L	NUMEROUS CHANGES	DW	9/2/82	A	WAS (1105526)	DW	10-29-79
K	NUMEROUS P/L CHANGES	DW	4-19-82	SYM			
J	WAS 1257452	HH	12-3-81				
H	REVISED PACKINGS & O-RINGS	HH	7-31-81				

TOLERANCE ON DIMENSIONS NOT OTHERWISE SPECIFIED	FRACTIONAL	DECIMAL	ANGULAR

APPROVED	DATE	BY
<i>(Signature)</i>	4-18-79	SCALE HALF

FILE SIZE	D
PART NO.	5261402

