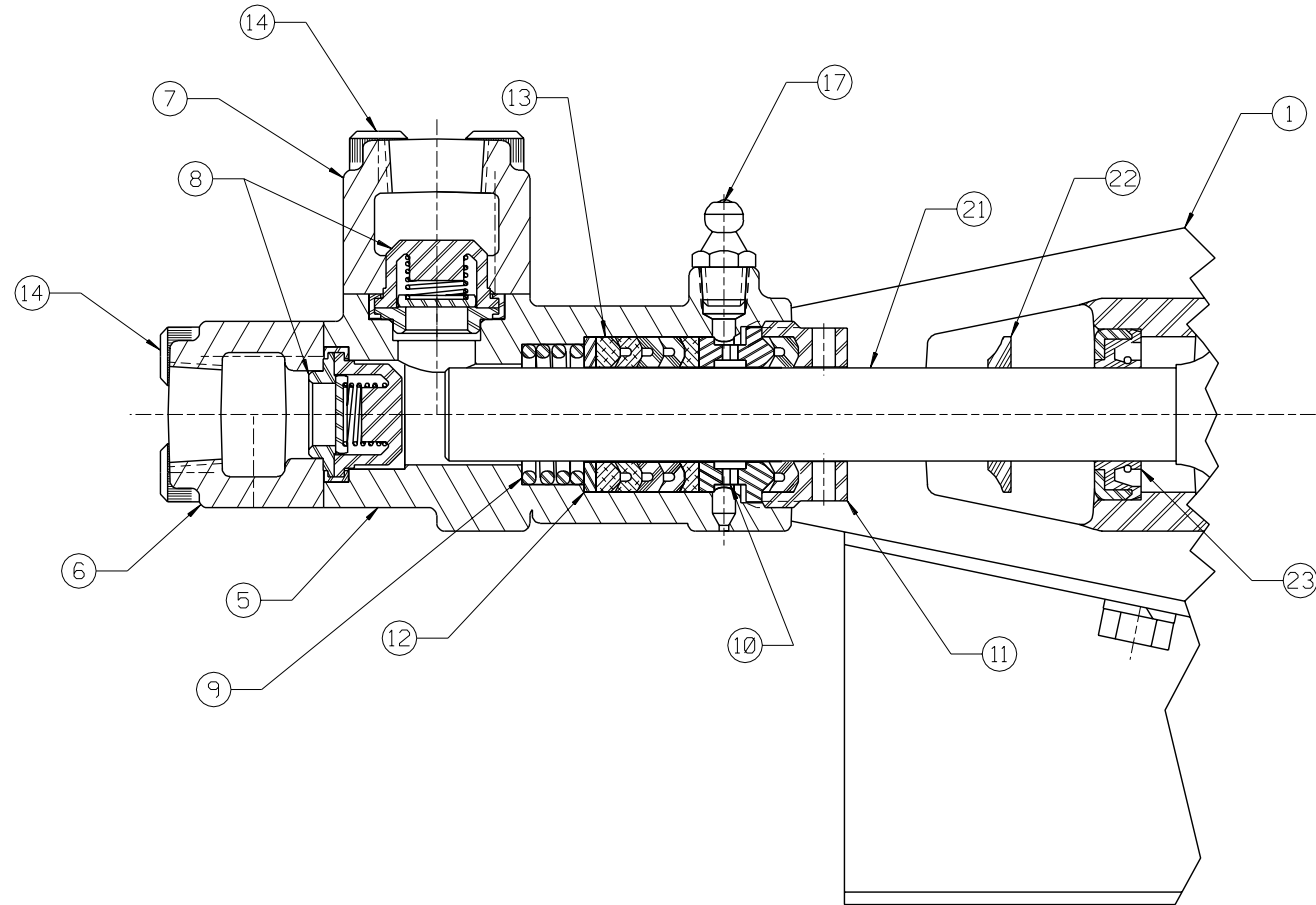


* THESE COMPONENTS ARE LOCATED IN THE FLUID END ASSEMBLY, ITEM ②
 ** THESE COMPONENTS ARE LOCATED IN THE ATTACHING GROUP, ITEM ③
 *** THESE COMPONENTS ARE LOCATED IN THE POWER END ASSEMBLY, ITEM ①



ITEM	NO. REQD	PART NO.	PART NAME
①	1	5268109	POWER END ASSEMBLY:
②	1	P500890	FLUID END ASSEMBLY:
③	1	5267835	ATTACHING GROUP:
④	1	5266224	LIT KIT:
* ⑤	1	5263321	VALVE CHAMBER:
* ⑥	1	5263322	SUCTION CHAMBER:
* ⑦	1	5263323	DISCHARGE CHAMBER:
* ⑧	6	5269970	VALVE ASSEMBLY: DISC, VITON
* ⑨	3	5261788	PACKING SPRING:
* ⑩	3	5261854	LANTERN RING:
* ⑪	3	5261855	GLAND NUT:
* ⑫	3	5261857	THROAT RING:
* ⑬	3	P500891	PACKING SET: V-RING, HT
* ⑭	8	1112293	SOC. HD. CAP SCREW: 5/16"-18 X 1 1/2" LG
* ⑮	4	1177207	CAPLUG: EXT 8X (NOT SHOWN)
** ⑯	2	1121509	HEX NUT: 3/8"-16 FIN C/Z (NOT SHOWN)
** ⑰	3	1100759	LUBE FITTING:
** ⑱	2	5257487	ALIGN BUSHING: (NOT SHOWN)
** ⑲	2	5257607	STUD: 3/8"-16 X 2" LG (NOT SHOWN)
** ⑳	2	1100243	LOCK WASHER: (NOT SHOWN)
*** ㉑	3	5268108	PLUNGER & CROSSHEAD ASSEMBLY:
*** ㉒	3	5257373	BARRIER WASHER:
*** ㉓	3	5257490	OIL SEAL: CROSSHEAD

NOTES:

- 1 STAMP NAMEPLATE PER FMC ENGR SPEC AS-21
- 2 TORQUE FASTENERS PER FMC ENGR SPEC AS-22
- 3 TEST PUMP PER FMC ENGR SPEC AS-15
- 4 PAINT PUMP PER FMC ENGR SPEC CP-20

This drawing is the property of FMC Corporation, and may not be used, reproduced, published, or disclosed to others, without express authorization FMC Corp.		FMC Corporation Fluid Control Division 2825 W. Washington Box 1377 Stephenville, Texas 76401	
Unless Otherwise Specified: Remove all burrs & sharp corners .015 R. All diameters concentric within .010 T.I.R. Angles ±1/2° .X ±.1 .XX ±.015 .XXX ±.005 Finish 125 RMS All dimensions are in inches		PUMP ASSEMBLY M0406 DI HT, W/1/2" NPT X 1/2" NPT FLUID END, COLMONOY PLGR, V-RING PKG & 450 SST DISC VALVE ASSYS, W/VITON SEAL	
RELEASED FOR PRODUCTION	DRAWN	JCB	12-16-96
ECN	DATE	CKD.	SL
5000543	12-17-96	APPD.	JLL
SCALE: NONE		DRAWING NO.	
C		P500889	

A	NEW ISSUE	✓	JCB	12-16-96
REV	WAS	ECN	BY	DATE

P500889