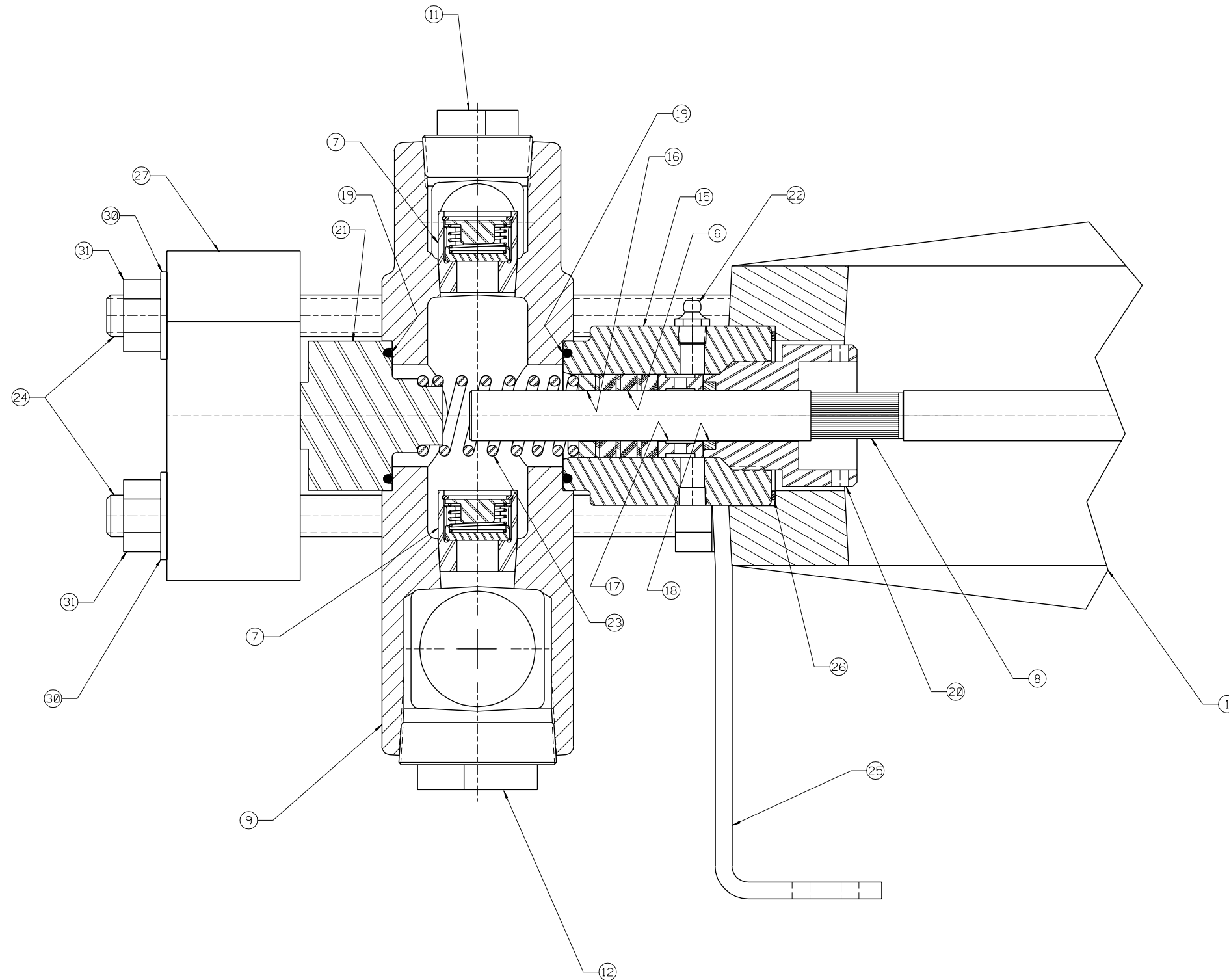


* THESE COMPONENTS ARE LOCATED IN THE FLUID CYLINDER GROUP, ITEM ②
 ** THESE COMPONENTS ARE LOCATED IN THE STUFFING BOX GROUP, ITEM ③
 *** THESE COMPONENTS ARE LOCATED IN THE ATTACHING GROUP, ITEM ④



ITEM	NO. RECD	PART NO.	PART NAME
①	1	5267664	POWER END ASSEMBLY:
②	1	5274492	FLUID CYLINDER GROUP:
③	3	5267683	STUFFING BOX GROUP:
④	1	5267679	ATTACHING GROUP:
⑤	1	5274547	CARTON/MANUAL GROUP:
⑥	3	5272407	PACKING SET: TEF/KEV
⑦	6	5260798	VALVE ASSEMBLY: DISC, 440 SST
⑧	3	5260636	PLUNGER: 3/4" DIA, COLMONOY
* ⑨	1	5267653	FLUID CYLINDER:
* ⑩	2	5260799	PIPE PLUG: 1" PIPE (NOT SHOWN)
* ⑪	3	5260800	PIPE PLUG: 1 1/4" PIPE
* ⑫	1	5260801	PIPE PLUG: 1 1/2" PIPE
* ⑬	2	1177201	CAPLUG: INT 14S, (NOT SHOWN)
* ⑭	2	1177203	CAPLUG: INT 20S, (NOT SHOWN)
** ⑮	3	5262078	STUFFING BOX:
** ⑯	3	5265159	THROAT BUSHING/FOLLOWER:
** ⑰	3	5273532	LANTERN RING:
** ⑱	3	5262099	WIPER RING:
** ⑲	6	320506	O-RING: 2" OD X 1/8" NOM., TEFLON
** ⑳	3	5273529	ADJUSTING NUT:
** ㉑	3	3269020	CYLINDER COVER:
** ㉒	3	1100759	LUBE FITTING: 1/8" NPT, STR
** ㉓	3	5259639	PACKING SPRING:
*** ㉔	6	5260065	STUD: 5/8"-11 UNC-2A, 10.63 LG
*** ㉕	1	5254219	FRONT FOOT:
*** ㉖	3	1280024	CYLINDER GASKET:
*** ㉗	3	5260055	CYLINDER COVER CLAMP:
*** ㉘	1	5267123	LIQUID LEVEL GAGE: (NOT SHOWN)
*** ㉙	2	5256759	STUD: 5/8"-11 UNC-2A, 7.69 LG (NOT SHOWN)
*** ㉚	8	5259620	WASHER: 5/8"
*** ㉛	10	5259621	NUT: 5/8"-11

△ R

NOTES:

- 1 TORQUE FASTENERS PER FMC ENGR SPEC AS-22
- 2 TEST PUMP PER FMC ENGR SPEC AS-15
- 3 STAMP NAMEPLATE PER FMC ENGR SPEC AS-21
- 4 PAINT PUMP PER FMC ENGR SPEC CP-20

This drawing is the property of FMC Corporation, and may not be used, reproduced, published, or disclosed to others, without express authorization FMC Corp.		FMC Corporation Fluid Control Division 2825 W. Washington Box 1377 Stephenville, Texas 76481	
Unless Otherwise Specified: Remove all burrs & sharp corners .005 R. All diameters concentric unless .008 1/2". Angles ±1/2° .XX ±.015 .XXX ±.005 Finish 125 RMS All dimensions are in inches		PUMP ASSEMBLY M0606 DI, W/1 1/2" NPT X 1" NPT FLUID END, COL PLGR, TEF/KEV PKG & 440 SST DISC VALVE ASSEMBLY	
R	REV BOM CALL-OUT	5004306	DRG 08-15-00
Q	REVISED & REDRAWN	5000374	DB 10-16-96
REV	WAS	ECN BY DATE	✓ 05-01-77
RELEASED FOR PRODUCTION		DRAWN DB	10-16-96
ECN		DATE	SCALE: NONE
✓		APPD. JLL	11-04-96
		CKD. SL	10-18-96
		SIZE	DRAWING NO.
		D	5259643

5259643