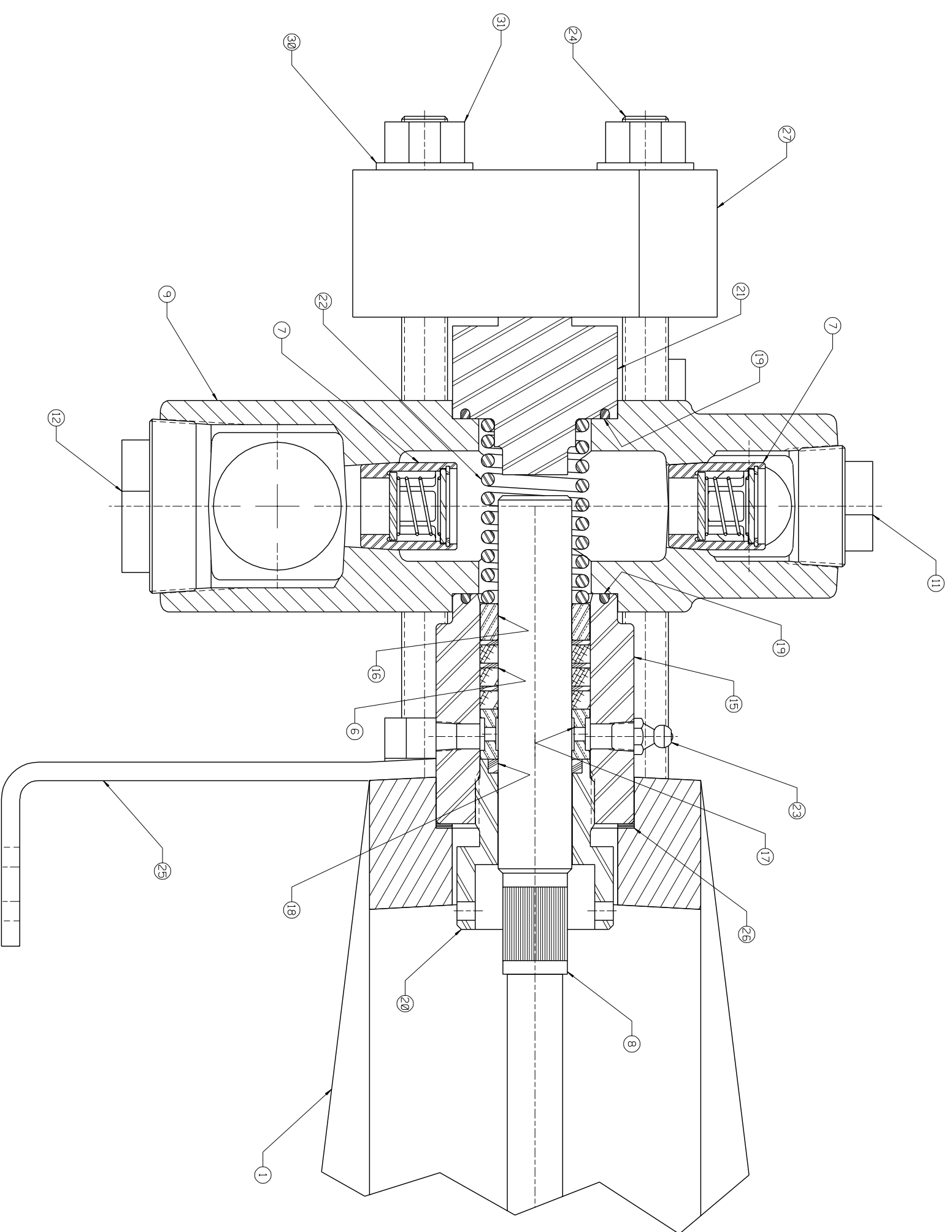


* THESE COMPONENTS ARE LOCATED IN THE FLUID CYLINDER GROUP, ITEM (2)
 ** THESE COMPONENTS ARE LOCATED IN THE STUFFING BOX GROUP, ITEM (3)
 *** THESE COMPONENTS ARE LOCATED IN THE ATTACHING GROUP, ITEM (4)



ITEM NO.	PART NO.	PART NAME
1	5267664	POWER END ASSEMBLY: L.H.
2	5274493	FLUID CYLINDER GROUP:
3	3267851	STUFFING BOX GROUP:
4	5267679	ATTACHING GROUP:
5	5274547	CARTON/MANUAL GROUP:
6	5272408	PACKING SET: TEF/KEV
7	5260798	VALVE ASSEMBLY: 440 SST
8	5261973	PLUNGER: 1" DIA, COLUMNARY

9	5256659	FLUID CYLINDER:
10	5260799	PIPE PLUG: 1" PIPE (NOT SHOWN)
11	5260800	PIPE PLUG: 1/4" PIPE
12	5260801	PIPE PLUG: 1/2" PIPE
13	1177201	CAPPLUG: INT 14S, (NOT SHOWN)
14	1177203	CAPPLUG: INT 20S, (NOT SHOWN)
15	5262079	STUFFING BOX:
16	5261939	THROAT BUSHING/FOLLOWER:
17	5262091	LANTERN RING:
18	5262100	WIPER RING:
19	320506	O-RING: 2.0 OD X 1/8" NOM., TEFLON
20	5273530	ADJUSTING NUT:
21	3269020	CYLINDER COVER:
22	5259640	PACKING SPRING:
23	1100759	LUBE FITTING: 1/8" NPT, STR
24	5260065	STUD: 3/8-11 UNC-2A, 10.63 LG
25	5254219	FRONT FOOT:
26	1280024	CYLINDER GASKET:
27	5260055	CYLINDER COVER CLAMP:
28	5267123	LIQUID LEVEL GAGE: (NOT SHOWN)
29	5256759	STUD: 3/8-11 UNC-2A, 7.69 LG (NOT SHOWN)
30	5259620	WASHER: 3/8"
31	5259621	NUT: 3/8-11

- NOTES:
- 1 TORQUE FASTENERS PER FMC ENGR SPEC AS-22
 - 2 TEST PUMP PER FMC ENGR SPEC AS-15
 - 3 STAMP NAMEPLATE PER FMC ENGR SPEC AS-21
 - 4 PAINT PUMP PER FMC ENGR SPEC CP-20

This drawing is the property of FMC Technologies, and may not be used, reproduced, published, or disclosed to others, without express authorization of FMC Technologies.

FMC Energy Systems

PUMP ASSEMBLY

M0608 DI, W/1/2" NPT X 1" NPT FLUID END, COLUMNARY PLGR, TEF/KEV PKG, 440 SST DISC VALVE ASSEMBLIES

REV	DESCRIPTION	DATE	BY	CHKD	APPD
5	REV BOM	08-01-77			
4	REV BOM CALL-OUT	08-01-77			
3	REVISED & DIGITIZED	11-30-95			
2	REVISED & DIGITIZED	11-30-95			
1	WAS	08-01-77			

5259644