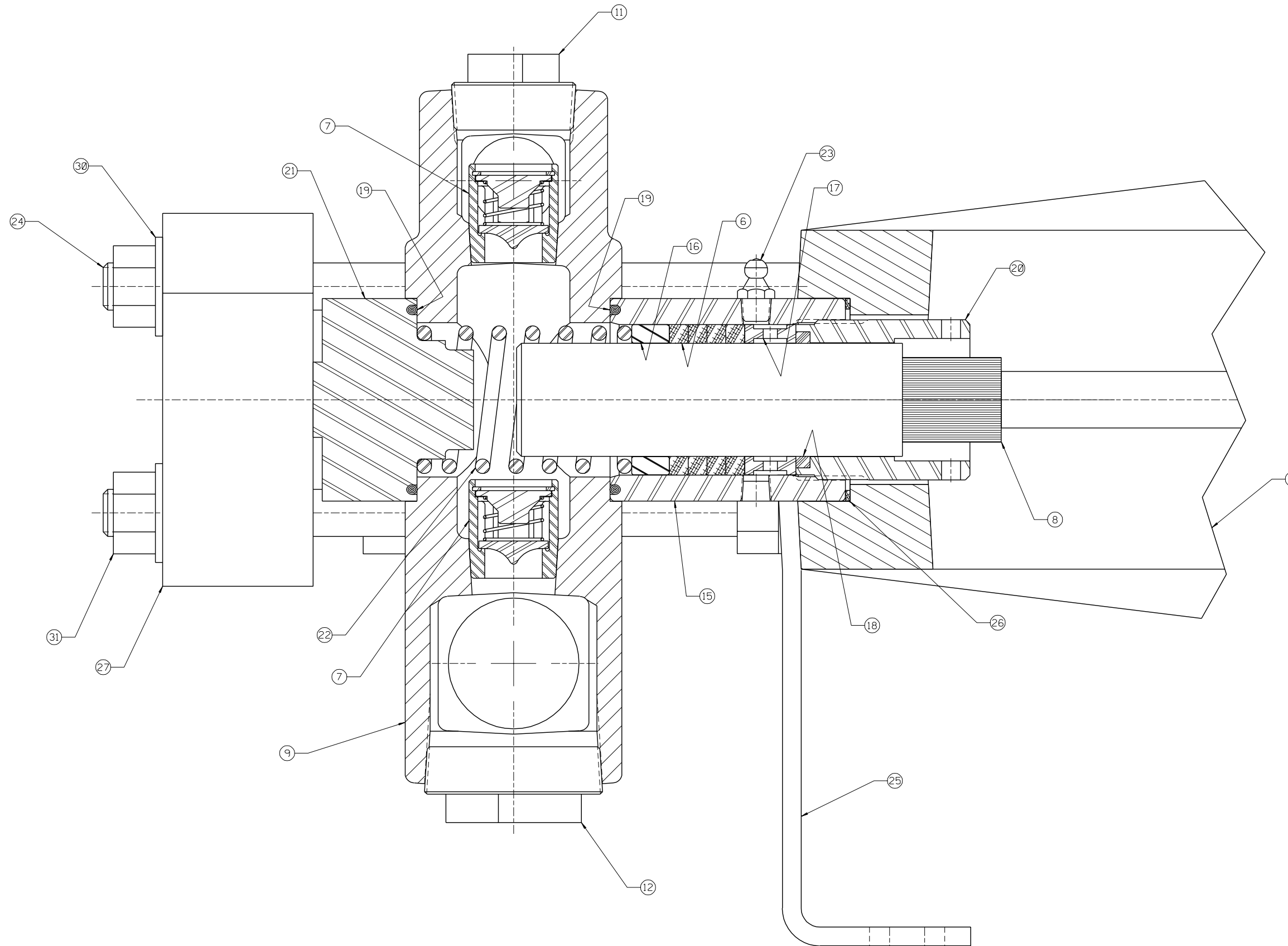


* THESE COMPONENTS ARE LOCATED IN THE FLUID CYLINDER GROUP, ITEM ②
 ** THESE COMPONENTS ARE LOCATED IN THE STUFFING BOX GROUP, ITEM ③
 *** THESE COMPONENTS ARE LOCATED IN THE ATTACHING GROUP, ITEM ④



ITEM	NO. RECD	PART NO.	PART NAME
①	1	5267664	POWER END:
②	1	5274494	FLUID CYLINDER GROUP:
③	3	3264130	STUFFING BOX GROUP:
④	1	5267679	ATTACHING GROUP:
⑤	1	5274547	CARTON/MANUAL GROUP:
⑥	3	5272410	PACKING SET: TEF/KEV
⑦	6	1256641	VALVE ASSEMBLY: DISC, 440 SST
⑧	3	5259632	PLUNGER: 1½" DIA, CERAMIC
* ⑨	1	5260066	FLUID CYLINDER:
* ⑩	2	5260799	PIPE PLUG: 1" PIPE (NOT SHOWN)
* ⑪	3	5260800	PIPE PLUG: 1¼" PIPE
* ⑫	1	5260801	PIPE PLUG: 1½" PIPE
* ⑬	2	1177201	CAPLUG: INT 14S, (NOT SHOWN)
* ⑭	2	1177203	CAPLUG: INT 20S, (NOT SHOWN)
** ⑮	3	5262081	STUFFING BOX:
** ⑯	3	5265162	THROAT BUSHING/FOLLOWER:
** ⑰	3	5265293	LANTERN RING:
** ⑱	3	5262102	WIPER RING:
** ⑲	6	320487	O-RING: 2½" OD X ⅛" NOM., TEFLON
** ⑳	3	5265294	ADJUSTING NUT:
** ㉑	3	5260059	CYLINDER COVER:
** ㉒	3	5259642	PACKING SPRING:
** ㉓	3	1100759	LUBE FITTING: ⅛" NPT, STR
*** ㉔	6	5260065	STUD: ⅝"-11 UNC-2A, 10.63 LG
*** ㉕	1	5254219	FRONT FOOT:
*** ㉖	3	1280024	CYLINDER GASKET:
*** ㉗	3	5260055	CYLINDER COVER CLAMP:
*** ㉘	1	5267123	LIQUID LEVEL GAGE: (NOT SHOWN)
*** ㉙	2	5256759	STUD: ⅝"-11 UNC-2A, 7.69 LG (NOT SHOWN)
*** ㉚	8	5259620	WASHER: ⅝"
*** ㉛	10	5259621	NUT: ⅝"-11

NOTES:
 1 TORQUE FASTENERS PER FMC ENGR SPEC AS-22
 2 TEST PUMP PER FMC ENGR SPEC AS-15
 3 STAMP NAMEPLATE PER FMC ENGR SPEC AS-21
 4 PAINT PUMP PER FMC ENGR SPEC CP-20

This drawing is the property of FMC Corporation, and may not be used, reproduced, published, or disclosed to others, without express authorization FMC Corp.		FMC Corporation Fluid Control Division 2825 W. Washington Box 1377 Stephenville, Texas 76481	
Unless Otherwise Specified: Remove all burrs & sharp corners .015 R. All diameters concentric unless otherwise noted. Angles ±1/2° .XX ±.015 .XXX ±.005 Finish 125 RMS All dimensions are in inches		PUMP ASSEMBLY M0612 DI, W/1½" NPT X 1" NPT FLUID END, CERAMIC PLGR, T/K PKG, 440 SST DISC VALVE ASSY	
RELEASED FOR PRODUCTION ECN DATE	DRAWN TT CKD. SJK APPD. RMC	11-04-97 11-04-97 11-05-97	SCALE: NONE DRAWING NO. 3264129

B	REVISED & DIGITIZED	5000175	TT	11-04-97
REV	WAS	ECN	BY	DATE

3264129